

Rocna Anchors Sizing Guidelines

Rocna.com



There's a Rocna Original, Rocna Mk II, or Vulcan anchor to suit just about any vessel – including larger sizes not featured here.

To choose the correctly sized Rocna or Vulcan anchor, firstly choose one of the below charts for Rocna Original and Vulcan, or Rocna Mk II. Find your vessel's length from column on the left, then track across that row until you find the

first column with a displacement (in tonnes) the same or larger than that of your vessel. The top of the column with the selected displacement indicates the recommended size.

For multihulls: use the chart as instructed, then select the model one size larger.

ROCNA ORIGINAL & VULCAN

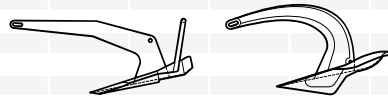
ROCNA ORIGINAL:

The archetypal highly successful New Zealand design, Peter's first tested and proven solution. The economical and rock solid choice for use anywhere on the planet and on any vessel.

SELECT THE VULCAN:

For a snug fit on the bows of any boat, including those with platforms, bowsprits, and other obstructions. Comparable performance with the **Rocna Original** and suitable for boats from small runabouts to vessels up to 26 m (depending on displacement).

| | | ROCNA ORIGINAL OR VULCAN MODEL | | | | | | | | | | | | |
|-----------------------|--------------|--------------------------------|---------------|----------------|------------------|----------------|----------------|----------------|----------------|----------------|-----------------|-----------------|------------------|------------------|
| | | 4 | 6 | 9 | 10 | 12 | 15 | 20 | 25 | 33 | 40 | 55 | 70 | 110 |
| | | | | Vulcan only | Rocna Orig. only | Vulcan only | | | | | | | Rocna Orig. only | Rocna Orig. only |
| VESSEL LENGTH | 4 m 13 ft | ≤ 2 t | | | | | | | | | | | | |
| | 5 m 16 ft | ≤ 1 t | ≤ 5 t | | | | | | | | | | | |
| | 6 m 20 ft | ≤ ½ t | ≤ 3.5 t | ≤ 7 t | | | | | | | | | | |
| | 7 m 23 ft | ≤ ½ t | ≤ 2 t | ≤ 6 t | ≤ 7 t | ≤ 9 t | | | | | | | | |
| | 8 m 26 ft | | ≤ 1 t | ≤ 5 t | ≤ 6 t | ≤ 8 t | ≤ 12 t | | | | | | | |
| | 9 m 30 ft | | ≤ ½ t | ≤ 4 t | ≤ 5 t | ≤ 7 t | ≤ 10 t | ≤ 16 t | | | | | | |
| | 10 m 33 ft | | | ≤ 3 t | ≤ 4 t | ≤ 6 t | ≤ 8.5 t | ≤ 14 t | ≤ 22 t | | | | | |
| | 11 m 36 ft | | | ≤ 2 t | ≤ 3 t | ≤ 5 t | ≤ 7 t | ≤ 12 t | ≤ 20 t | | | | | |
| | 12 m 39 ft | | | | | ≤ 4 t | ≤ 6 t | ≤ 10 t | ≤ 18 t | ≤ 30 t | | | | |
| | 14 m 46 ft | | | | | | ≤ 4 t | ≤ 6 t | ≤ 13 t | ≤ 23 t | ≤ 40 t | | | |
| | 16 m 52 ft | | | | | | | ≤ 3 t | ≤ 9 t | ≤ 18 t | ≤ 32 t | ≤ 60 t | | |
| | 18 m 59 ft | | | | | | | | ≤ 5 t | ≤ 14 t | ≤ 25 t | ≤ 50 t | ≤ 85 t | |
| | 20 m 66 ft | | | | | | | | | ≤ 10 t | ≤ 18 t | ≤ 40 t | ≤ 75 t | ≤ 165 t |
| | 22 m 72 ft | | | | | | | | | ≤ 6 t | ≤ 12 t | ≤ 33 t | ≤ 65 t | ≤ 150 t |
| 24 m 79 ft | | | | | | | | | | ≤ 7 t | ≤ 25 t | ≤ 55 t | ≤ 135 t | |
| 26 m 85 ft | | | | | | | | | | | ≤ 18 t | ≤ 45 t | ≤ 120 t | |
| 28 m 92 ft | | | | | | | | | | | | ≤ 35 t | ≤ 105 t | |
| 30 m 98 ft | | | | | | | | | | | | | Use EN* | |
| Anchor weight | 4 kg 9 lb | 6 kg 13 lb | 9 kg 20 lb | 10 kg 22 lb | 12 kg 27 lb | 15 kg 33 lb | 20 kg 44 lb | 25 kg 55 lb | 33 kg 73 lb | 40 kg 88 lb | 55 kg 121 lb | 70 kg 154 lb | 110 kg 243 lb | |
| Recommended G40 chain | 1/4" | 1/4" | 1/4" | 1/4" | 5/16" | 5/16" | 5/16" | 3/8" | 3/8" | 7/16" | 7/16" | 1/2" | 5/8" | |



ROCNA Mk II

SELECT THE ROCNA Mk II:

An idealized form of the Rocna design, the **Rocna Mk II** is based on the same proven design pattern, but offers substantial upgrades in performance and strength by way of optimization and refinement – inheriting and uprating the original's proven performance advantages. For the best available anchoring investment, the Rocna Mk II is the world's premier anchor.

The premium strength and performance of the Mk II permits slightly lighter sizing in some cases.

| | | ROCNA Mk II MODEL | | | | | | | | | | | | |
|-----------------------|--------------|-------------------|---------------|----------------|----------------|----------------|----------------|----------------|----------------|-----------------|-----------------|-----------------|------------------|---------|
| | | 4 | 6 | 9 | 12 | 15 | 20 | 25 | 33 | 40 | 50 | 60 | 80 | 100 |
| VESSEL LENGTH | 4 m 13 ft | ≤ 2 t | | | | | | | | | | | | |
| | 5 m 16 ft | ≤ 1 t | ≤ 5 t | | | | | | | | | | | |
| | 6 m 20 ft | ≤ ½ t | ≤ 3.5 t | ≤ 8 t | | | | | | | | | | |
| | 7 m 23 ft | ≤ ½ t | ≤ 2 t | ≤ 7 t | ≤ 10 t | | | | | | | | | |
| | 8 m 26 ft | | ≤ 1 t | ≤ 6 t | ≤ 8.5 t | ≤ 13 t | | | | | | | | |
| | 9 m 30 ft | | ≤ ½ t | ≤ 5 t | ≤ 7.5 t | ≤ 11 t | ≤ 18 t | | | | | | | |
| | 10 m 33 ft | | | ≤ 4 t | ≤ 6.5 t | ≤ 9.5 t | ≤ 16 t | ≤ 25 t | | | | | | |
| | 11 m 36 ft | | | ≤ 3 t | ≤ 5.5 t | ≤ 8 t | ≤ 14 t | ≤ 23 t | | | | | | |
| | 12 m 39 ft | | | | ≤ 4.5 t | ≤ 6.5 t | ≤ 11 t | ≤ 21 t | ≤ 34 t | | | | | |
| | 14 m 46 ft | | | | | ≤ 4.5 t | ≤ 7 t | ≤ 15 t | ≤ 26 t | ≤ 45 t | | | | |
| | 16 m 52 ft | | | | | | ≤ 4 t | ≤ 10 t | ≤ 20 t | ≤ 36 t | ≤ 60 t | | | |
| | 18 m 59 ft | | | | | | | ≤ 6 t | ≤ 16 t | ≤ 28 t | ≤ 50 t | ≤ 85 t | | |
| | 20 m 66 ft | | | | | | | | ≤ 11 t | ≤ 20 t | ≤ 40 t | ≤ 75 t | ≤ 120 t | ≤ 175 t |
| | 22 m 72 ft | | | | | | | | ≤ 7 t | ≤ 13 t | ≤ 33 t | ≤ 65 t | ≤ 110 t | ≤ 160 t |
| 24 m 79 ft | | | | | | | | | ≤ 8 t | ≤ 25 t | ≤ 55 t | ≤ 100 t | ≤ 145 t | |
| 26 m 85 ft | | | | | | | | | | ≤ 18 t | ≤ 45 t | ≤ 85 t | ≤ 130 t | |
| 28 m 92 ft | | | | | | | | | | | ≤ 35 t | ≤ 70 t | ≤ 115 t | |
| 30 m 98 ft | | | | | | | | | | | | Use EN* | Use EN* | |
| Anchor weight | 4 kg 9 lb | 6 kg 13 lb | 9 kg 20 lb | 12 kg 27 lb | 15 kg 33 lb | 20 kg 44 lb | 25 kg 55 lb | 33 kg 73 lb | 40 kg 88 lb | 50 kg 110 lb | 60 kg 132 lb | 80 kg 176 lb | 100 kg 220 lb | |
| Recommended G40 chain | 1/4" | 1/4" | 1/4" | 5/16" | 5/16" | 5/16" | 3/8" | 3/8" | 7/16" | 7/16" | 1/2" | 5/8" | 5/8" | |



OUR SIZING IS CONSERVATIVE: Our sizing recommendations are intended to provide an anchor adequate for use in most conditions. We base our calculations on 50 knots of wind, associated surge, and poor holding bottoms. Recommendations are incomparable with other anchor producers.

At our discretion we may provide you a custom sizing recommendation which will take into account more characteristics and intended use of your vessel. This recommendation may be more or less conservative than our chart recommendation, and is to supersede it.

For anchor sizes larger than featured, please contact us.

CLASSIFICATION RULES SIZING FOR LARGER ANCHORS

Rocna anchors may be sized by classification society rules for SHHP anchors. An SHHP type is usually permitted a mass 33% lighter than HHP types, or 50% lighter than stockless. Classified sizing is based on a vessel's type, purpose, and calculated Equipment Number (E.N.).

| Ships | EQUIPMENT NUMBER (E.N.) RANGE* | | | | | | | | | | Please enquire |
|----------------|--------------------------------|---------------------------|----------------------------|----------------------------|----------------------------|----------------------------|----------------------------|----------------------------|--------------------|--|----------------|
| | 50-70 | 70-90 | 90-110 | 110-130 | 130-150 | 150-175 | 175-205 | 205-240 | > 240 | | |
| ABS Yachts | UY6-UY8 80(Y)-100(Y) | UY8-UY10 100(Y)-120(Y) | UY10-UY11 120(Y)-130(Y) | UY11-UY12 130(Y)-140(Y) | UY12-UY13 140(Y)-150(Y) | UY13-UY14 150(Y)-175(Y) | UY14-UY15 175(Y)-205(Y) | UY15-UY16 205(Y)-240(Y) | > UY16 > 240(Y) | | |
| ROCNA ORIGINAL | 110 | 150 | 150 | 200 | 200 | 275 | 275 | - | | | |
| ROCNA Mk II | 243 lb | 331 lb | 331 lb | 441 lb | 441 lb | 606 lb | 606 lb | - | | | |
| | 100 | 135 | 180 | 180 | 250 | 250 | 330 | 330 | | | |
| | 220 lb | 298 lb | 397 lb | 397 lb | 551 lb | 551 lb | 728 lb | 728 lb | | | |

* Guide only. Rules vary by society and class/purpose of vessel. Consult classification society or your naval architect.

Rocna Anchors Dimensions

Rocna.com



To ensure that your new Rocna or Vulcan anchor will fit well on your boat's bow, we offer a number of resources to assist you.

BASIC DIMENSIONS

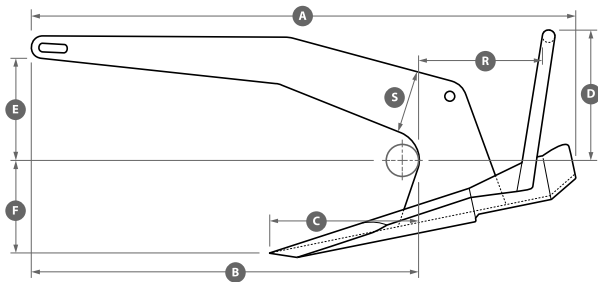
Commonly requested measurements are tabulated below for anchors up to 110 kg (243 lb) at the orientation pictured. This sheet may also be downloaded from **Rocna.com**. Using these drawings and a tape measure, many boaters can easily determine that a Rocna or Vulcan will fit their boat.

FULL SCALE PATTERNS

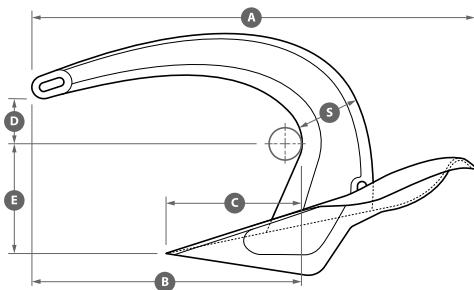
A 2D side-profile of any size anchor may be produced by using the full scale printable patterns available from **Rocna.com**. You can assemble and use these patterns to evaluate a fit to a higher degree of confidence.

3D OR 2D CAD FILES

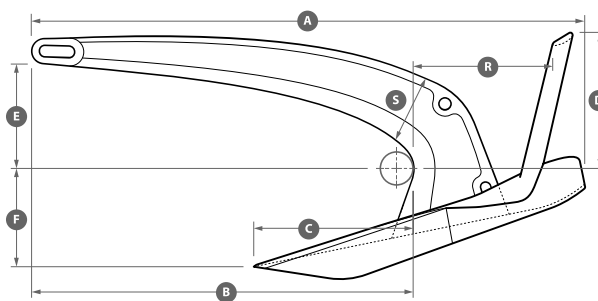
We may supply naval architects or boat builders with accurate CAD files of Rocna and Vulcan models to support the proper integration of the anchor into a vessel's anchoring system. Please contact us.



| SIZE | | ROCNA ORIGINAL | | | | | | | | | | | | | | | | | |
|------|-----|--|------|------|------|-----|------|-----|------|-----|------|-----|------|-----|-----|-----|------|-------|------|
| kg | lb | A | | B | | C | | D | | E | | F | | S | | R | | Width | |
| | | mm | in | mm | in | mm | in | mm | in | mm | in | mm | in | mm | in | mm | in | mm | in |
| 4 | 9 | 547 | 21.5 | 388 | 15.3 | 154 | 6.1 | 133 | 5.2 | 96 | 3.8 | 103 | 4.1 | 75 | 3.0 | 119 | 4.7 | 275 | 10.8 |
| 6 | 13 | 630 | 24.8 | 440 | 17.3 | 170 | 6.7 | 150 | 5.9 | 102 | 4.0 | 123 | 4.8 | 80 | 3.1 | 139 | 5.5 | 315 | 12.4 |
| 10 | 22 | 724 | 28.5 | 516 | 20.3 | 204 | 8.0 | 174 | 6.9 | 130 | 5.1 | 133 | 5.2 | 90 | 3.5 | 163 | 6.4 | 365 | 14.4 |
| 15 | 33 | 830 | 32.7 | 595 | 23.4 | 235 | 9.3 | 205 | 8.1 | 145 | 5.7 | 156 | 6.1 | 100 | 3.9 | 187 | 7.4 | 415 | 16.3 |
| 20 | 44 | 864 | 34.0 | 617 | 24.3 | 244 | 9.6 | 220 | 8.7 | 162 | 6.4 | 158 | 6.2 | 110 | 4.3 | 191 | 7.5 | 435 | 17.1 |
| 25 | 55 | 971 | 38.2 | 695 | 27.4 | 275 | 10.8 | 233 | 9.2 | 175 | 6.9 | 184 | 7.2 | 115 | 4.5 | 210 | 8.3 | 485 | 19.1 |
| 33 | 73 | 1066 | 42.0 | 765 | 30.1 | 280 | 11.0 | 254 | 10.0 | 180 | 7.1 | 206 | 8.1 | 120 | 4.7 | 231 | 9.1 | 532 | 20.9 |
| 40 | 88 | 1142 | 45.0 | 820 | 32.3 | 300 | 11.8 | 278 | 10.9 | 188 | 7.4 | 224 | 8.8 | 130 | 5.1 | 251 | 9.9 | 570 | 22.4 |
| 55 | 121 | 1235 | 48.6 | 883 | 34.8 | 323 | 12.7 | 306 | 12.0 | 225 | 8.9 | 226 | 8.9 | 150 | 5.9 | 264 | 10.4 | 620 | 24.4 |
| 70 | 154 | 1338 | 52.7 | 961 | 37.8 | 354 | 13.9 | 330 | 13.0 | 240 | 9.4 | 250 | 9.8 | 155 | 6.1 | 288 | 11.3 | 670 | 26.4 |
| 110 | 243 | 1490 | 58.7 | 1065 | 41.9 | 390 | 15.4 | 352 | 13.9 | 265 | 10.4 | 286 | 11.3 | 180 | 7.1 | 321 | 12.6 | 745 | 29.3 |
| >110 | | For dimensions and fit support for models Rocna Original 150 (331 lb) and larger, please contact us. | | | | | | | | | | | | | | | | | |



| SIZE | | VULCAN | | | | | | | | | | | | | |
|------|-----|--------|------|-----|------|-----|------|-----|-----|-----|------|-----|-----|-------|------|
| kg | lb | A | | B | | C | | D | | E | | S | | Width | |
| | | mm | in | mm | in | mm | in | mm | in | mm | in | mm | in | mm | in |
| 4 | 9 | 472 | 18.6 | 288 | 11.3 | 145 | 5.7 | 46 | 1.8 | 119 | 4.7 | 67 | 2.6 | 258 | 10.2 |
| 6 | 13 | 541 | 21.3 | 329 | 13.0 | 167 | 6.6 | 53 | 2.1 | 136 | 5.4 | 77 | 3.0 | 296 | 11.6 |
| 9 | 20 | 619 | 24.4 | 377 | 14.8 | 191 | 7.5 | 61 | 2.4 | 156 | 6.1 | 88 | 3.5 | 339 | 13.3 |
| 12 | 27 | 681 | 26.8 | 415 | 16.3 | 210 | 8.3 | 67 | 2.6 | 172 | 6.8 | 97 | 3.8 | 373 | 14.7 |
| 15 | 33 | 734 | 28.9 | 447 | 17.6 | 226 | 8.9 | 72 | 2.8 | 185 | 7.3 | 104 | 4.1 | 402 | 15.8 |
| 20 | 44 | 808 | 31.8 | 492 | 19.4 | 249 | 9.8 | 79 | 3.1 | 204 | 8.0 | 115 | 4.5 | 442 | 17.4 |
| 25 | 55 | 870 | 34.3 | 530 | 20.9 | 268 | 10.6 | 85 | 3.4 | 220 | 8.6 | 124 | 4.9 | 476 | 18.7 |
| 33 | 73 | 955 | 37.6 | 581 | 22.9 | 294 | 11.6 | 93 | 3.7 | 241 | 9.5 | 136 | 5.3 | 522 | 20.6 |
| 40 | 88 | 1018 | 40.1 | 620 | 24.4 | 313 | 12.3 | 100 | 3.9 | 257 | 10.1 | 145 | 5.7 | 557 | 21.9 |
| 55 | 121 | 1132 | 44.6 | 689 | 27.1 | 349 | 13.7 | 111 | 4.4 | 286 | 11.2 | 161 | 6.3 | 619 | 24.4 |



| SIZE | | ROCNA Mk II | | | | | | | | | | | | | | | | | |
|------|-----|---|------|------|------|-----|------|-----|------|-----|------|-----|------|-----|-----|-----|------|-------|------|
| kg | lb | A | | B | | C | | D | | E | | F | | S | | R | | Width | |
| | | mm | in | mm | in | mm | in | mm | in | mm | in | mm | in | mm | in | mm | in | mm | in |
| 4 | 9 | 529 | 20.8 | 365 | 14.4 | 152 | 6.0 | 132 | 5.2 | 99 | 3.9 | 93 | 3.7 | 66 | 2.6 | 132 | 5.2 | 271 | 10.7 |
| 6 | 13 | 606 | 23.9 | 418 | 16.5 | 174 | 6.9 | 151 | 5.9 | 114 | 4.5 | 107 | 4.2 | 75 | 3.0 | 151 | 5.9 | 310 | 12.2 |
| 9 | 20 | 694 | 27.3 | 479 | 18.9 | 199 | 7.8 | 172 | 6.8 | 130 | 5.1 | 122 | 4.8 | 86 | 3.4 | 173 | 6.8 | 355 | 14.0 |
| 12 | 27 | 763 | 30.1 | 527 | 20.8 | 219 | 8.6 | 190 | 7.5 | 143 | 5.6 | 135 | 5.3 | 95 | 3.7 | 190 | 7.5 | 390 | 15.4 |
| 15 | 33 | 822 | 32.4 | 568 | 22.4 | 236 | 9.3 | 204 | 8.0 | 154 | 6.1 | 145 | 5.7 | 102 | 4.0 | 205 | 8.1 | 421 | 16.6 |
| 20 | 44 | 905 | 35.6 | 625 | 24.6 | 260 | 10.2 | 225 | 8.9 | 170 | 6.7 | 160 | 6.3 | 112 | 4.4 | 226 | 8.9 | 463 | 18.2 |
| 25 | 55 | 975 | 38.4 | 673 | 26.5 | 280 | 11.0 | 242 | 9.5 | 183 | 7.2 | 172 | 6.8 | 121 | 4.8 | 243 | 9.6 | 499 | 19.6 |
| 33 | 73 | 1069 | 42.1 | 738 | 29.1 | 307 | 12.1 | 266 | 10.5 | 200 | 7.9 | 189 | 7.4 | 133 | 5.2 | 267 | 10.5 | 547 | 21.5 |
| 40 | 88 | 1140 | 44.9 | 787 | 31.0 | 328 | 12.9 | 284 | 11.2 | 214 | 8.4 | 201 | 7.9 | 141 | 5.6 | 284 | 11.2 | 583 | 23.0 |
| 50 | 110 | 1228 | 48.4 | 848 | 33.4 | 353 | 13.9 | 305 | 12.0 | 230 | 9.1 | 217 | 8.5 | 152 | 6.0 | 306 | 12.1 | 628 | 24.7 |
| 60 | 132 | 1305 | 51.4 | 901 | 35.5 | 375 | 14.8 | 325 | 12.8 | 245 | 9.6 | 230 | 9.1 | 162 | 6.4 | 325 | 12.8 | 668 | 26.3 |
| 80 | 176 | 1437 | 56.6 | 992 | 39.1 | 413 | 16.2 | 357 | 14.1 | 269 | 10.6 | 254 | 10.0 | 178 | 7.0 | 358 | 14.1 | 735 | 28.9 |
| 100 | 220 | 1548 | 60.9 | 1069 | 42.1 | 445 | 17.5 | 385 | 15.1 | 290 | 11.4 | 273 | 10.8 | 192 | 7.6 | 386 | 15.2 | 792 | 31.2 |
| >100 | | For dimensions and fit support for models Rocna Mk II 135 (298 lb) and larger, please contact us. | | | | | | | | | | | | | | | | | |

ANCHOR ANGLE: The above dimensions will vary as the anchor is rotated.

WILL A ROCNA OR VULCAN SELF-LAUNCH?

All Rocna anchors have shank shapes that are designed to self-launch and encourage self-righting on retrieval, ensuring ease of use for all boaters.

WHICH ROCNA TYPE WILL FIT BEST?

Rocna anchors are intended to fit well on most vessels. The Rocna Mk II offers improved clearance vs the Rocna Original at the shank-end and the roll-bar. The Vulcan is specifically designed to fit a wider range of vessels with the omission of a roll-bar to clear anchor platforms, bowsprits, or prods.